



## THE BENEFITS OF A GAS WATER HEATER

### / SPEED AND CONVENIENCE

You don't have to wait for your regular geyser to heat up. With this tankless gas water heater cold water flows in and hot water flows out.

### / COST EFFICIENCY

Instead of keeping a tank full of water warm all the time, you only heat the water that you need helping you to significantly cut down on your heating costs.

### / LONGER LIFE SPAN

With regular annual maintenance this product can last more than 10 years, more than double that of a traditional geyser.

### / GOING GREEN

Gas Instantaneous water heaters are more energy efficient than traditional geysers, making things easier on the environment as well as your wallet.



For further information visit our website  
[ariston.com](http://ariston.com)

Ariston Service  
**087 943 7470**



Ariston Thermo Group disclaims all responsibility for possible printing or transcription mistakes of this catalogue. Furthermore, it reserves the right to change, without notice, the specification and information of the products contained herein.



# FAST EVO

GAS INSTANTANEOUS  
WATER HEATERS

HOT WATER | HEATING

# FAST EVO

## FEATURES AND BENEFITS

FAST EVO combines ease of installation and high comfort. Thanks to its technology it can work even with very low water flow rate and water pressure.

- / Continuous flame modulation via the NTC sensor located at the heater exchanger outlet (maximum temperature stability)
- / Minimum operating pressure of 0.1 bar
- / Also operates with a minimum water flow rate of 2 l/min
- / Water flow switch present
- / Electronic flame detection



### WARRANTY

This appliance may only be installed by a Registered LP Gas Installer. Installation to be done in accordance with the requirements of SANS 10087-1.



### ELECTRONIC THERMOSTATIC MODULATION FOR MORE PRECISE TEMPERATURE CONTROL AND STABILITY



### ELECTRONIC IGNITION WITH BATTERIES GIVING UP TO 38% GAS SAVINGS\*

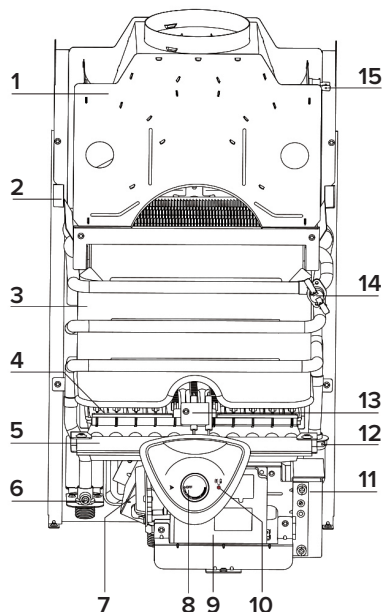


### MAXIMUM SAFETY WITH SMOKE, WATER AND FLAME DETECTOR SENSORS

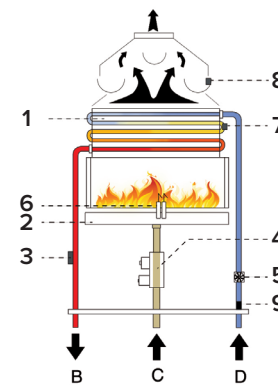


### SIMPLE INSTALLATION WITH MINIMAL EFFORT

## TECHNICAL INFORMATION

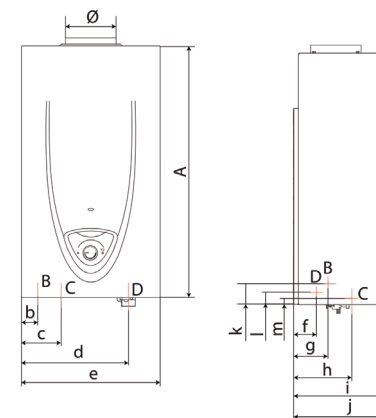


1. Combustion hood
2. Frame
3. Heat exchanger
4. Burner
5. Gas collector
6. Hot water temperature sensor
7. Gas valve
8. Switch ON/OFF and D.H.W temperature knob
9. P.C.B box
10. L.E.D.:  
Red - errors  
Orange - adjustment in progress
11. Ignition P.C.B
12. Water flow switch
13. Ignition and detection electrode
14. Overheat thermostat
15. Fume sensor



1. Heat exchanger
2. Burner
3. Hot water temperature sensor
4. Gas valve
5. Water flow switch
6. Ignition and detection electrode
7. Overheat thermostat
8. Fume sensor
9. Cold water inlet filter

- B. Hot water outlet 1/2"
- C. Gas Inlet 1/2"
- D. Cold water inlet 1/2"



DESCRIPTION	16 LITRES
Dimensions (H x L x W)	580 x 370 x 230 [mm]
Weight (net)	11.1 [kg]
Electricity supply	2x 1,5 V LR 20
Ignition technology	Direct mechanic
Nominal heat input (min - max)	10,5 - 27 [kW]
Nominal heat output (min - max)	9 - 23 [kW]
Water pressure (min - max)	0,1 - 10 [bar]

### OVERALL DIMENSIONS

16L	Ø	a	b	c	d	e	f	g	h	i	j	k	l	m
	132	580	70	117	264	370	48	58.8	131.5	230	250	23	11.2	22.5

