



THE BENEFITS OF A GAS WATER HEATER

/ SPEED AND CONVENIENCE

You don't have to wait for your regular geyser to heat up. With this tankless gas water heater cold water flows in and hot water flows out.

/ COST EFFICIENCY

Instead of keeping a tank full of water warm all the time, you only heat the water that you need helping you to significantly cut down on your heating costs.

/ LONGER LIFE SPAN

With regular annual maintenance this product can last more than 10 years, more than double that of a traditional geyser.

/ GOING GREEN

Gas Instantaneous water heaters are more energy efficient than traditional geysers, making things easier on the environment as well as your wallet.



For further information visit our website
ariston.com

Ariston Service
087 943 7470



Ariston Thermo Group disclaims all responsibility for possible printing or transcription mistakes of this catalogue. Furthermore, it reserves the right to change, without notice, the specification and information of the products contained herein.



FAST R

GAS INSTANTANEOUS
WATER HEATERS

HOT WATER | HEATING

FAST R

FEATURES AND BENEFITS

FAST R combines ease of use with high reliability thanks to its control panel and its robust structure.

- / Temperature stability during shower
- / Continuous hot water at low flow rates
- / Solid and durable components
- / Flame off during product standby
- / Up-to-date technology for complete safety
- / Simple temperature regulation
- / Easy maintenance



WARRANTY

This appliance may only be installed by a Registered LP Gas Installer. Installation to be done in accordance with the requirements of SANS 10087-1.



ELECTRONIC IGNITION WITH BATTERIES GIVING UP TO 38% GAS SAVINGS*



MAXIMUM SAFETY WITH SMOKE, WATER AND FLAME DETECTOR SENSORS

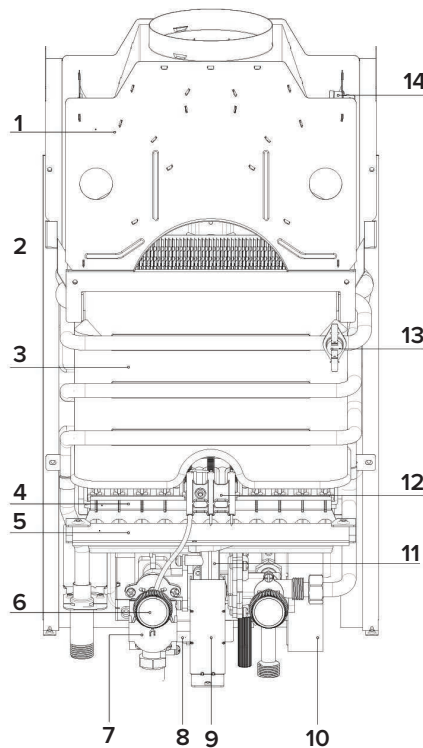


SIMPLE INSTALLATION WITH MINIMAL EFFORT



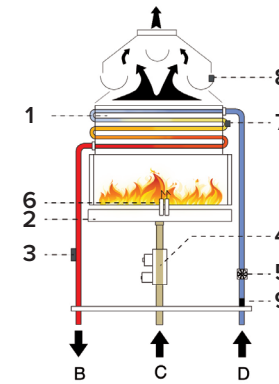
SIMPLE TEMPERATURE REGULATION WITH WATER AND GAS REGULATING KNOBS

TECHNICAL INFORMATION

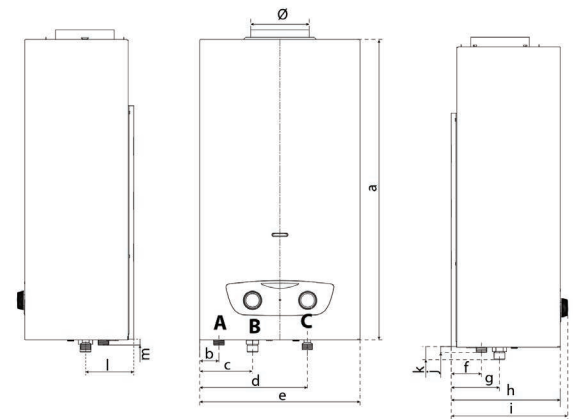


1. Combustion hood
2. Frame
3. Heat exchanger
4. Burner
5. Gas manifold
6. Knob gas regulation
7. Gas-water valve
8. Battery box
9. Front cover bracket
10. Ignition P.C.B
11. Gas connector
12. Ignition and detection electrode
13. Overheat thermostat
14. Fumes temperature thermostat

DESCRIPTION	11 LITRES	14 LITRES
Dimensions (H x L x W)	580 x 310 x 210 [mm]	580 x 370 x 225 [mm]
Weight (net)	9.8 [kg]	11.2 [kg]
Electricity supply	2x 1,5 V LR 20	2x 1,5 V LR 20
Ignition technology	Direct mechanic	Direct mechanic
Nominal heat input (min - max)	8,5 - 21,5 [kW]	10,5 - 27 [kW]
Nominal heat output (min - max)	7,2 - 18,5 [kW]	9 - 23 [kW]
Water pressure (min - max)	0,15 - 10 [bar]	0,2 - 10 [bar]



1. Heat exchanger
 2. Burner
 3. Hot water temperature sensor
 4. Gas valve
 5. Water flow switch
 6. Ignition and detection electrode
 7. Overheat thermostat
 8. Fume sensor
 9. Cold water inlet filter
- B. Hot water outlet 1/2"
C. Gas Inlet 1/2"
D. Cold water inlet 1/2"



- A. Hot water outlet G1/2"
B. Gas inlet G1/2"
C. Cold water inlet G1/2"

OVERALL DIMENSIONS

	Ø	a	b	c	d	e	f	g	h	i	j	k	l	m
11L	112	550	44.5	109.3	215.8	325	44.3	111.4	210	223.7	25.7	28	111.4	24.5
14L	132	580	70	132	238	370	28.8	93.9	210.8	225.5	11.4	25	92.8	20.1

